

InnoVfoam B.V.

Remotely operated fire water monitor



InnoVfoam B.V.

Remotely operated fire water monitor

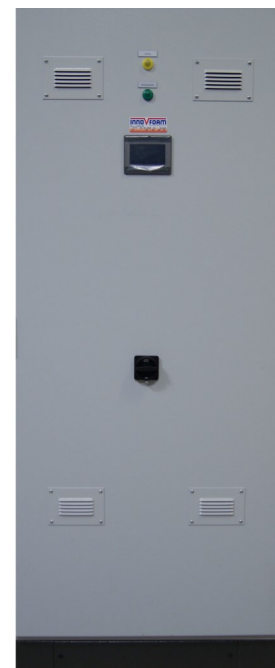
The InnoVfoam fire monitor type FWM-EL was designed as compact and reliable device. Horizontal and vertical positioning is accomplished by remotely controlled electric motors, equipped with insulated handles to facilitate safe manual override. The Fog/Jet nozzle type EBA can be adjusted between full jet and spray modes by a separate electric motor. The capacity of the unit can be adjusted such that the best performance possible at the given water pressure in regard to throw length and jet-pattern is achieved.

As optional equipment to the FWM-EL fire monitor, a specific control cabinet and portable control device, either wired or wireless, can be obtained. All adjustments, i.e. rotation, elevation, mode switching fog/jet, and foam/water valve settings can be controlled from this device. With the addition of PLC and Profibus, automatic operation is also possible, as well in conjunction with heat sensitive camera's.



ADVANTAGES

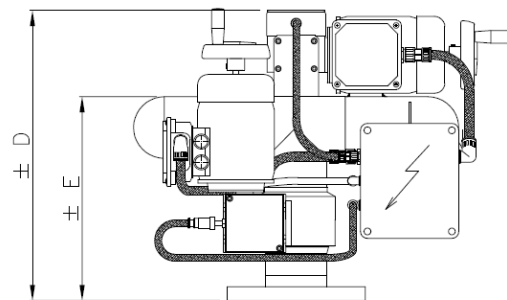
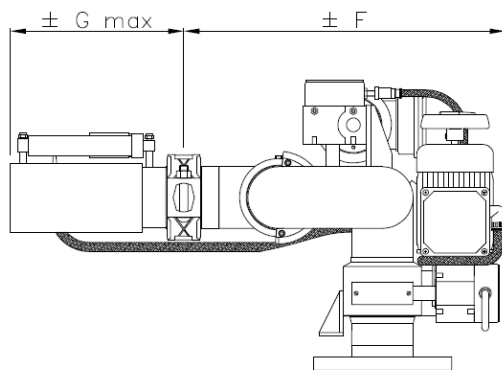
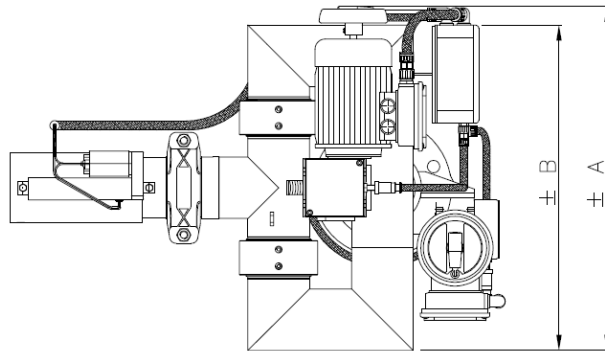
The FWM-EL series fire monitors are developed as a multi-functional device, which means controllable with pulse counters and PLC. The FWM-EL fire monitors do not require any electrical end switches which results in reduced field cabling. The special InnoVfoam control system enables a fully adjustable, free programmable rotation and elevation range by means of a touch screen, including automatic oscillation. The FWM-EL fire monitors are most reliable and maintenance friendly due to its simplified electrical wiring. A typical electrical wiring diagram is attached for information only.



InnoVfoam B.V.

Remotely operated fire water monitor

DRAWINGS



MODEL	CAPACITY LPM	INLET CONN.	OUTLET CONN.	A mm	B mm	C mm	D mm	E mm	F mm	G mm (max)	WEIGHT (KG.) ~
FWM-2 EL	1.000	2" or 50 DIN	grooved	407	370	180	340	230	375	290	19
FWM-3-EL	3.000	3" or 80 DIN	grooved	495	469	236	420	295	456	364	38
FWM-4-EL	5.000	4" or 100 DIN	grooved	592	541	295	469	342	520	364	48
FWM-6-EL	10.000	6" or 150 DIN	grooved	830	750	420	620	460	620	364	96
FWM-8-EL	20.000	8" or 200 DIN	grooved	990	694	530	590	475	745	364	136
The monitor is equipped with nozzle type EBA											
EBA-0,5	Up to 1.000	2" grooved	-	-	-	-	-	-	-	-	3
EBA-2	Up to 1.500	3" grooved	-	-	-	-	-	-	-	-	4
EBA-3	Up to 2.500	3" grooved	-	-	-	-	-	-	-	-	5
EBA-4	Up to 8.500	4" grooved	-	-	-	-	-	-	-	-	7
EBA-6	Up to 20.000	6" or 8" grooved	-	-	-	-	-	-	-	-	11

InnoVfoam B.V.

Remotely operated fire water monitor



CHARACTERISTICS FWM-EL MONITOR

Design pressure: 16 bar

Max. working pressure: 16 bar

Test pressure: 24 bar

Rotation: 350°

Elevation: + 60° -85°

Body material: Stainless steel

Finish: Primer and red epoxy paint (RAL 3000)

Ballbearings for rotation and elevation.

Electric motors El./Rot.: 230 VAC/400 VAC, IP65
(FWM-2 EL: 24 VDC)

Endswitches: N/A limitation by pulse counters



CHARACTERISTICS EBA NOZZLE

- Type EBA 0.5: 250 - 1500 LPM
- Type EBA 1: 1500 - 3000 LPM
- Type EBA 2: 3000 - 5000 LPM
- Type EBA 6: 5000 - 20.000 LPM

Body material: Stainless Steel

Nozzle manually adjustable: From jet to spray

Max. Spray angle: 120°

Electric motor: 24 VDC, IP65

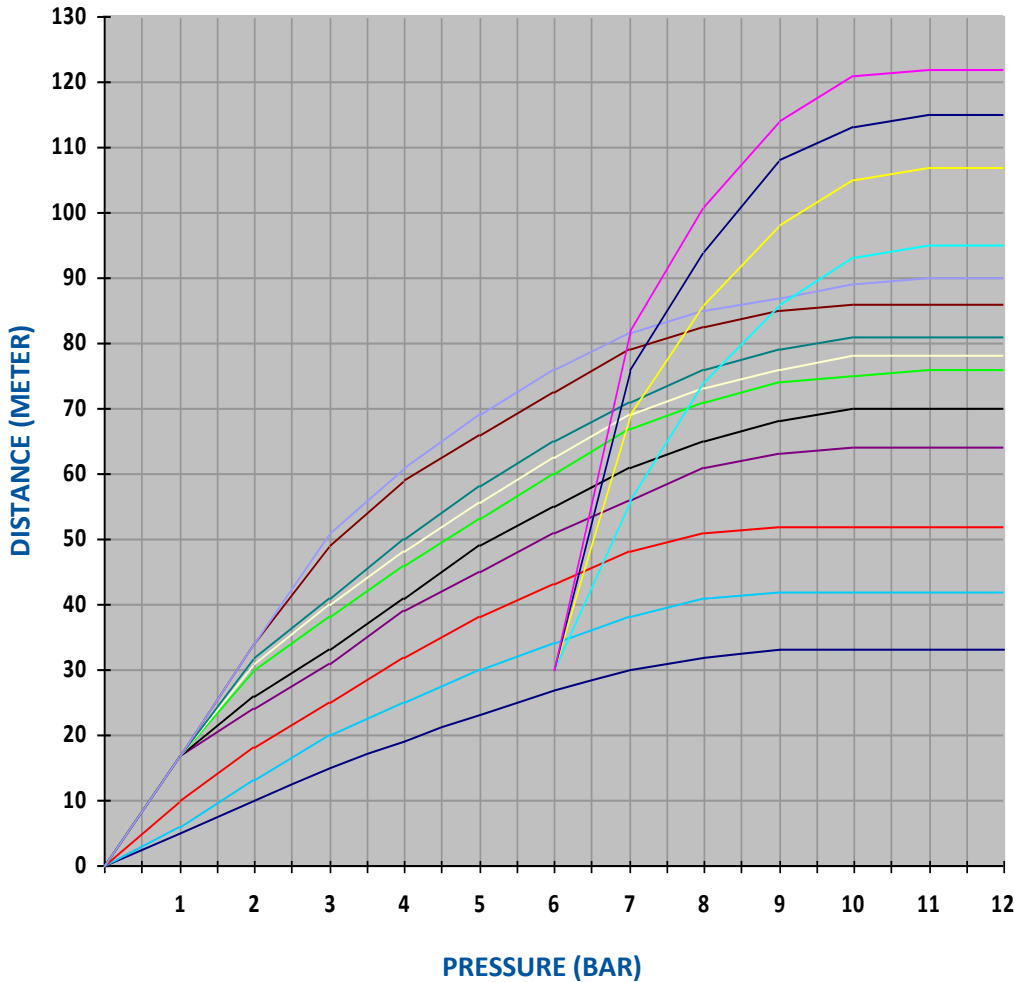


FWM-2 EL

InnoVfoam B.V.

Remotely operated fire water monitor

THROW LENGTH FWM MONITOR RANGE



	20.000 LPM
	17.000 LPM
	15.000 LPM
	13.000 LPM
	10.000 LPM
	8.000 LPM
	6.000 LPM
	5.000 LPM
	4.000 LPM
	3.000 LPM
	2.000 LPM
	1.000 LPM
	500 LPM
	250 LPM

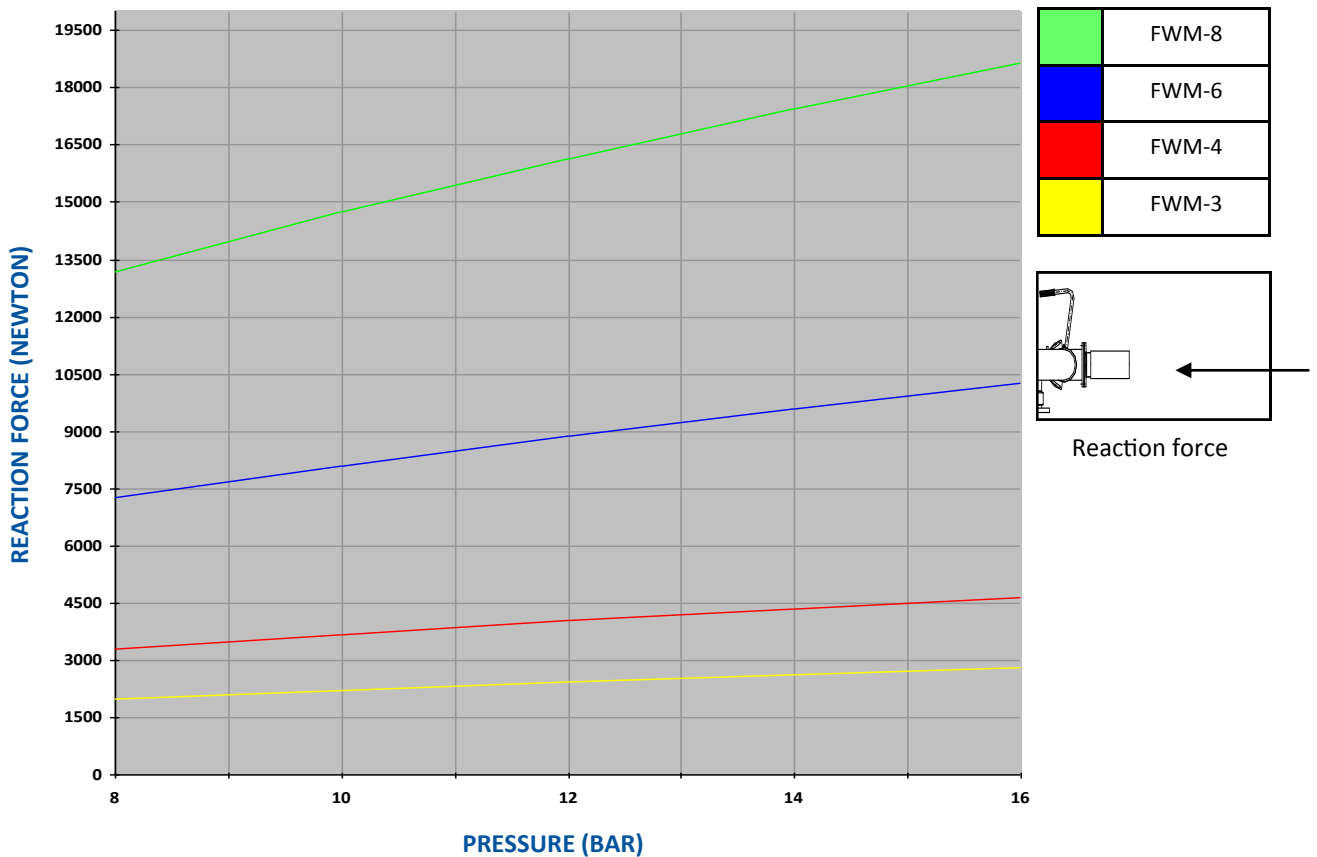
Note: Throw will be appr. 10% less with non aspirated foam.
Throw length (appr.) under windstill conditions



InnoVfoam B.V.

Remotely operated fire water monitor

REACTION FORCE FWM MONITOR RANGE



Jet performance with AFFF



Spray performance with AFFF

